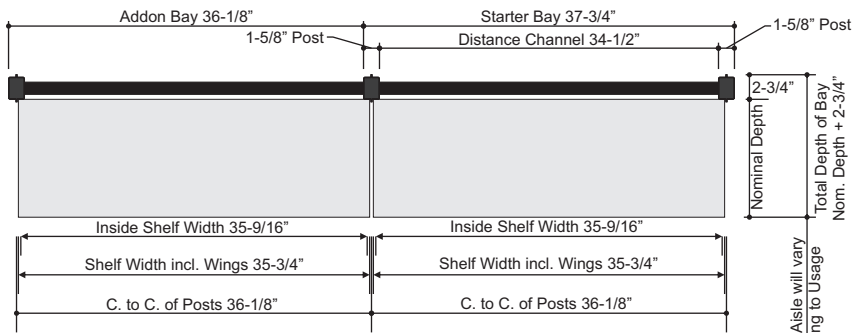


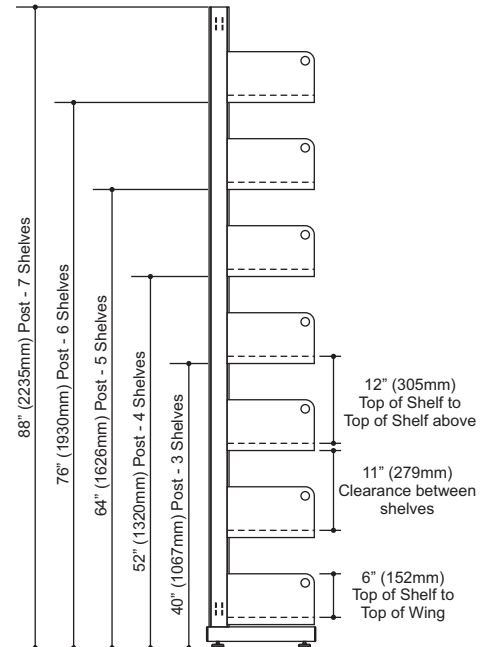
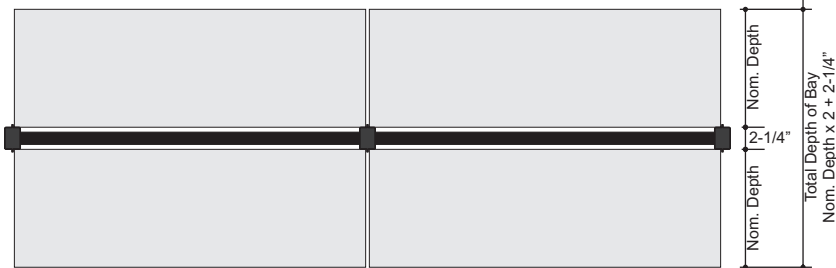
PLANNING GUIDE

TYPICAL SHELF INSTALLATION

Open Single Face Library Shelving



Open Double Face Library Shelving

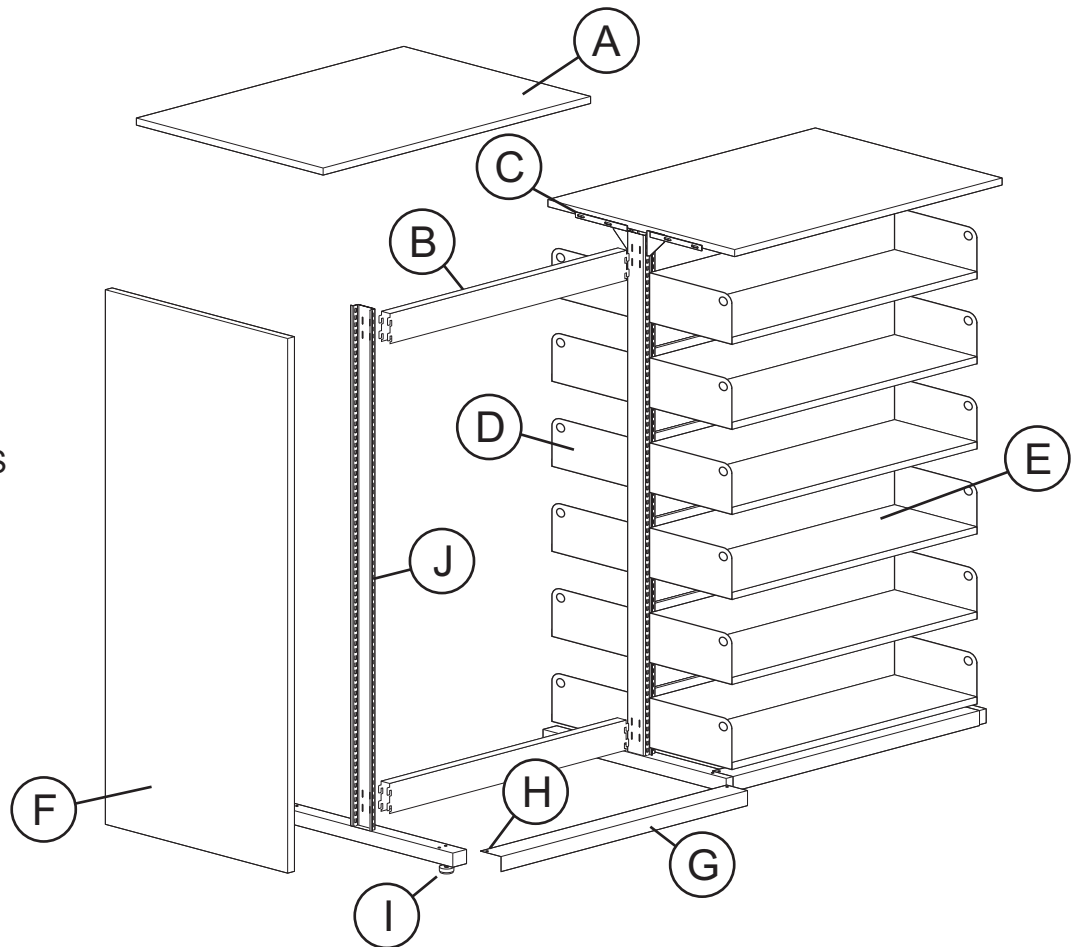


Open Style Run Length = No. of Bays x 36-1/8" + 1-5/8"

Closed Style Run Length = No. of Bays x 36-1/8" + (2 x End Panel Thickness)

CLOSED TYPE LIBRARY SHELVING

- A) DUST COVER
- B) DISTANCE CHANNEL
- C) TOP BRACKET
- D) LIBRARY WING
- E) CANTILEVERED SHELF
- F) END PANEL
- G) KICKPLATE
- H) KICKPLATE FASTENERS
- I) ADJUSTABLE GLIDES
- J) UPRIGHT

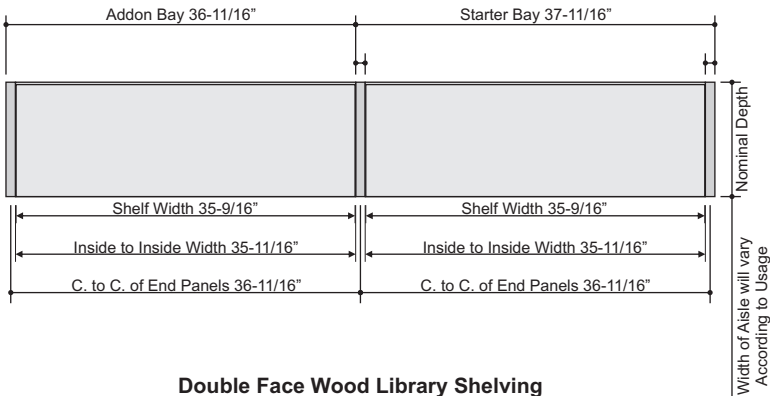


MAY WE HELP? Designing a new library or modernizing your existing facilities? Our capable staff would be only too happy to prepare layouts and quotations to suit your requirements.

PLANNING GUIDE

TYPICAL SHELF INSTALLATION

Single Face Wood Library Shelving



Double Face Wood Library Shelving



Run Length = (No. of Bays x 36-11/16") + 1"

Single Faced Library Shelving

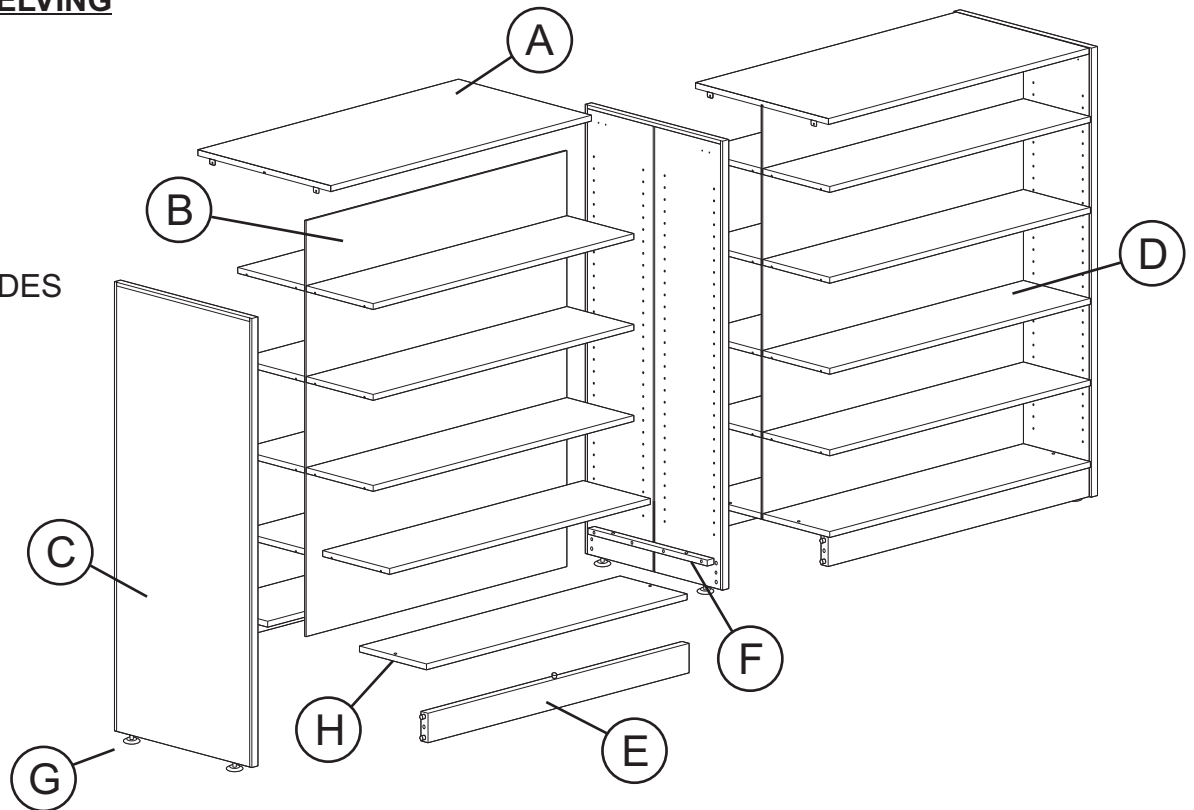
84"	5 Flat & 1 Bottom Shelf
72"	4 Flat & 1 Bottom Shelf
60"	3 Flat & 1 Bottom Shelf
48"	2 Flat & 1 Bottom Shelf
42" (For use with Picture Books)	1 Flat & 1 Bottom Shelf
36"	1 Flat & 1 Bottom Shelf

Double Faced Library Shelving

84"	10 Flat & 2 Bottom Shelf
72"	8 Flat & 2 Bottom Shelf
60"	6 Flat & 2 Bottom Shelf
48"	4 Flat & 2 Bottom Shelf
42" (For use with Picture Books)	2 Flat & 2 Bottom Shelf
36"	2 Flat & 2 Bottom Shelf

WOOD LIBRARY SHELVING

- A) COUNTERTOP
- B) BACK
- C) END PANEL
- D) SHELF
- E) KICKPLATE
- F) WOOD BLOCK
- G) ADJUSTABLE GLIDES
- H) BOTTOM



MAY WE HELP? Designing a new library or modernizing your existing facilities? Our capable staff would be only too happy to prepare layouts and quotations to suit your requirements.